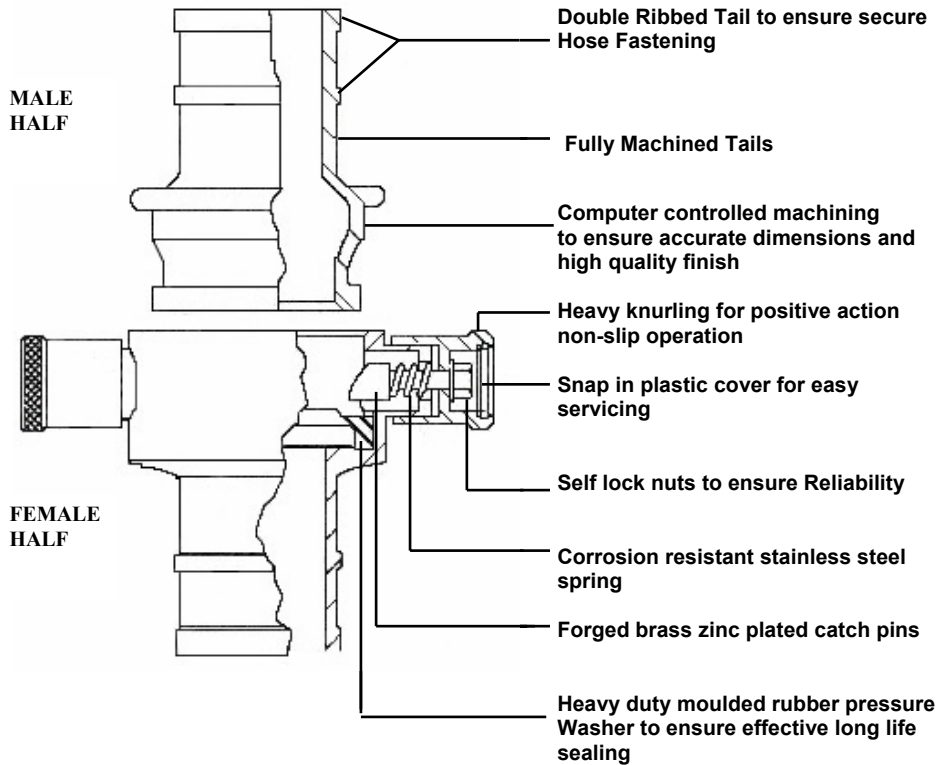


# INSTANTANEOUS HOSE COUPLING



**SIZES:** Available in 2½” or 70 mm instantaneous with the following hose tails:

Part No.	Sizes	
037300	70 mm x 38 mm tail	2½” x 1½” tails
* 050400	70 mm x 45 mm tail	2½” x 1¾” tails
037400	70 mm x 50 mm tail	2½” x 2” tails
037500	70 mm x 64 mm tail	2½” x 2½” tails
* 050600	70 mm x 70 mm tail	2½” x 2¾” tails
037600	70 mm x 75 mm tail	2½” x 3” tails
* 051300	70 mm x 90 mm tail	2½” x 3½” tails

\* **STANDARDS:** NZS 4505 70 mm Instantaneous

**MATERIALS** Precision machined in either gunmetal or heat treated aluminium alloy  
**& FINISHES:** Available in fully polished, satin or anodised finish  
**WEIGHT:** Light alloy 1 kg per set. Gunmetal 3 kg per set

*If you do not see what you want in our brochures, please call us! We cannot show every item  
 Due to continued improvement the right is reserved to modify specifications without prior notice*



PSL

PO Box 69-028, 10 Akatea Road, Glendene, Auckland 0645, New Zealand  
 Ph: +64 9 8188048 Fax: +64 9 818 4484 Email: sales@firemaster.co.nz  
 Web: [www.firemaster.co.nz](http://www.firemaster.co.nz)

Rev: 1

*“Fire & Safety Solutions”*